

## **DESCRIPTION**

The remote digital operator kit (DS089) allows a digital operator to be mounted up to 1 meter from the GPD205 drive. This kit includes a new digital operator, an operator interface, 1-meter extension cable, a gasket, and four mounting screws.

## **RECEIVING**

All equipment is tested against defect at the factory. Report any damages or shortages evident when the equipment is received to the commercial carrier who transported the equipment.

## **INSTALLATION AND WIRING**

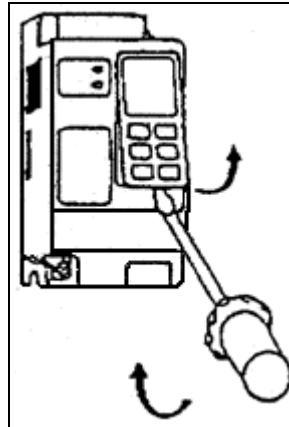
### **WARNING**

**Hazardous voltage can cause severe injury or death. Lock all power sources feeding Drive in "OFF" position.**

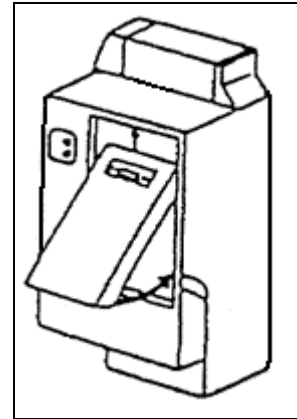
1. Disconnect all electrical power to Drive.
2. Verify voltage has been disconnected by using a voltmeter to check for voltage at incoming power terminals (L1, L2, L3).
3. Wait for at least one minute for the DC bus capacitors to completely discharge.
4. Remove contents from package. Verify that all of the following parts are included:

<b>Qty.</b>	<b>Description</b>
1	Panel-mount digital operator
1	Operator Interface
1	Cable
1	Gasket
4	Screws

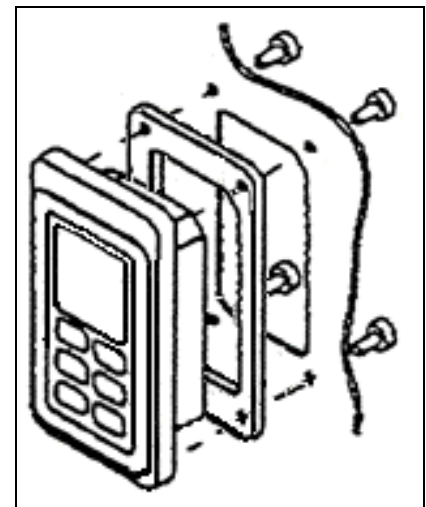
5. Using a small flat blade screwdriver, pop out the existing digital operator. Inserting the screwdriver into the small slot at the bottom of the existing digital operator and turning the screwdriver as shown in Figure 1.
6. Install the operator interface into the drive where the original digital operator was. Hold the bottom of the operator interface, slide it upwards then push the bottom in. See Figure 2.
7. Cut out the panel as shown in Figure 5.
8. Install the new digital operator. See Figure 3. Be sure to include the gasket.
9. Install the cable between the digital operator and the operator interface. See Figure 4.
10. Secure the cable so it cannot pull out of either the digital operator or the operator interface.



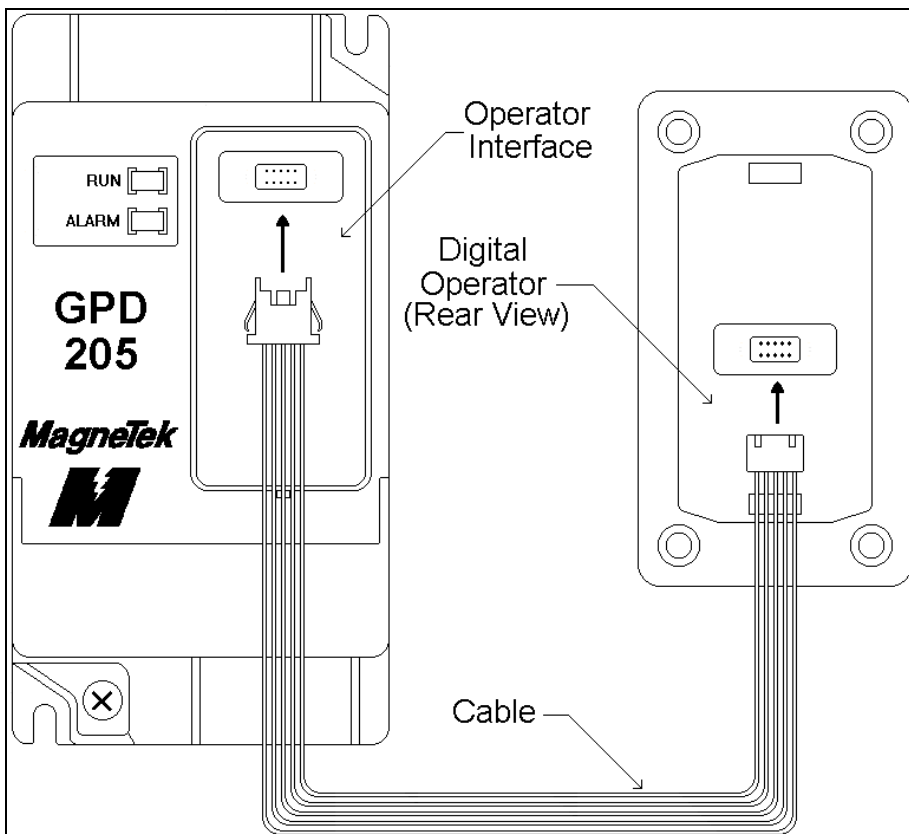
**Figure 1: Remove Existing Digital Operator**



**Figure 2: Installation Of Operator Interface**



**Figure 3: Digital Operator: Installation**



**Figure 4: Cable Installation**

**CAUTION**  
THE DIGITAL OPERATOR CABLE MUST BE SEPARATE FROM THE MAIN CIRCUIT INPUT / OUTPUT WIRING.

(Dimensions In Inches)

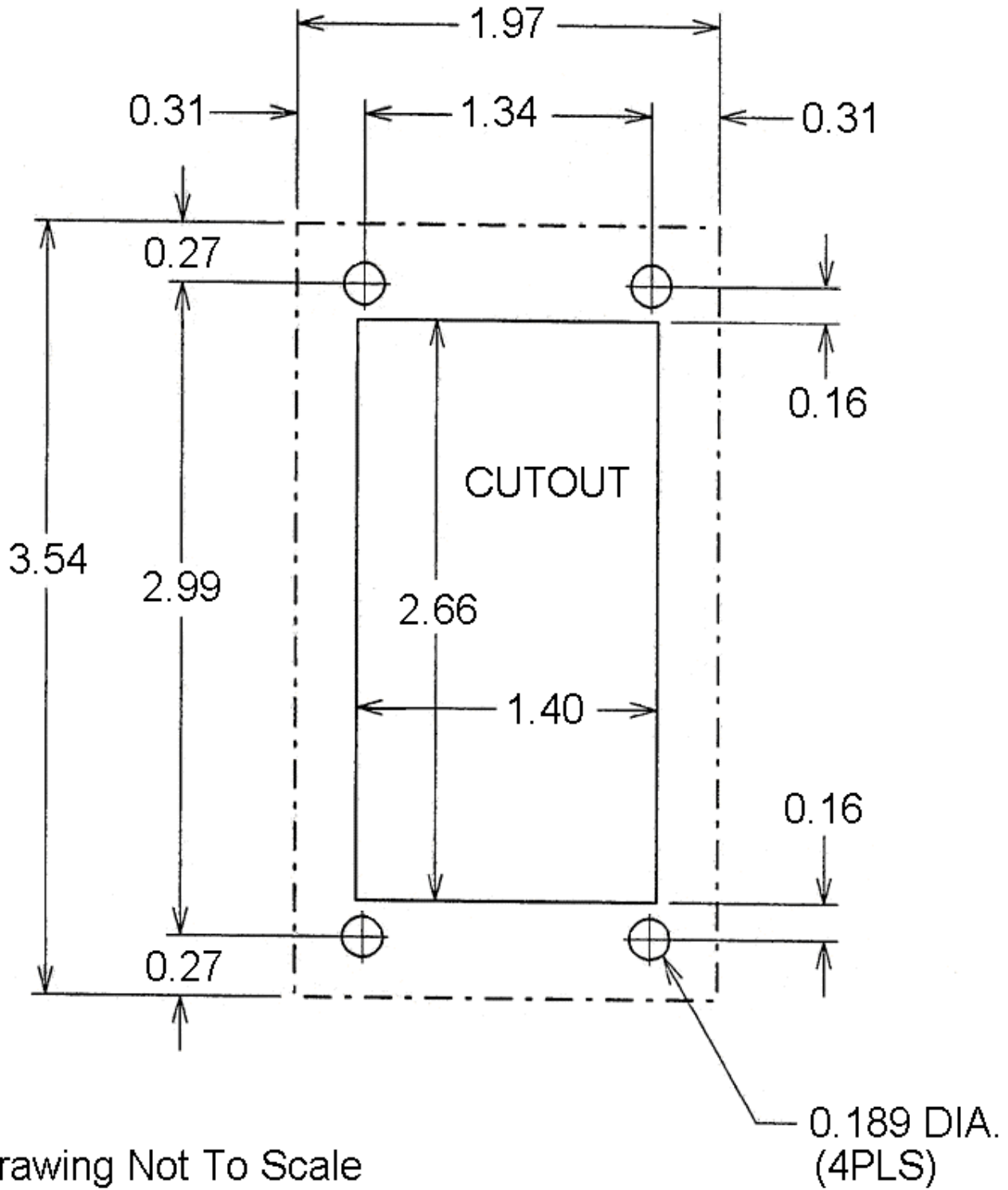


Figure 5 Cutout Dimensions